



OS-1000-HydDrive

ONE SEVEN SELF-CONTAINED SYSTEM | MUNICIPAL APPLICATION



DESCRIPTION

The OS-1000-HydDrive is an extinguishing system designed for vehicles without a PTO. Instead of the PTO a hydraulic pump which is installed in the vehicle's motor compartment and driven by the vehicle's engine acts as drive source. Due to its compact dimensions and low weight the OS-1000-HydDrive can be installed in almost any popular small transporter or pick-up chassis.

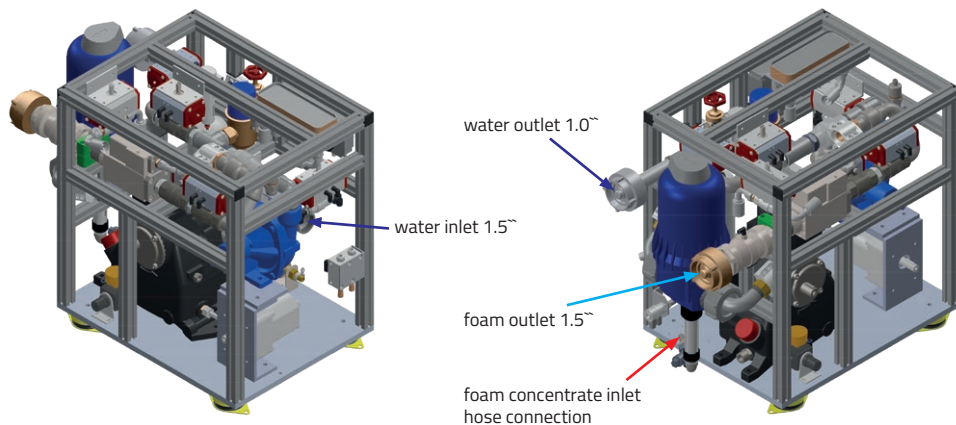
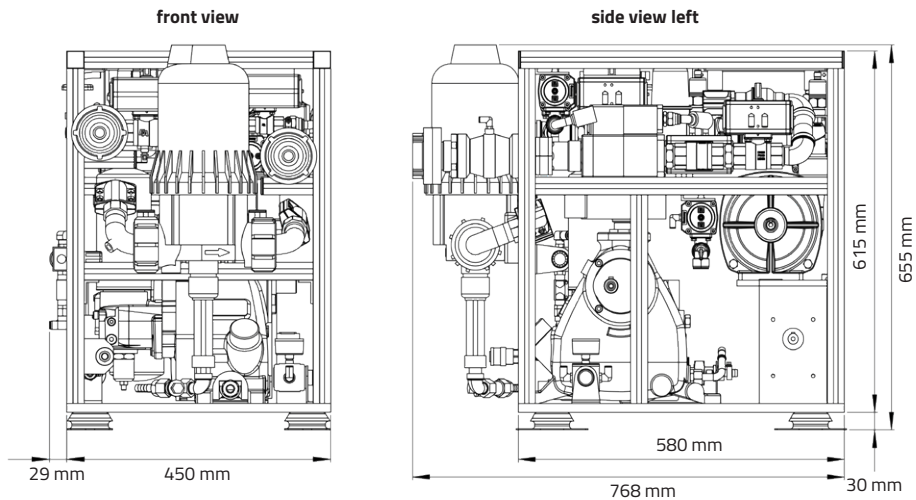
The system has one (1) 1.5" foam generator which supplies one (1) 1.5" discharge outlet with a maximum One Seven foam volume of 900 l/min. Alternatively to the special One Seven foam conventional wet foam or dry foam can be produced. The maximum flow capacity of wetting agent is 150 l/min. Pure water can be discharged via a separate output with a capacity of up to 350 l/min.

The OS-1000-HydDrive is operated intuitively via a touchscreen. The low operating noise level ensures pleasant working conditions.

In combination with the unique One Seven foaming agents the OS-1000-HydDrive is a compact but powerful and reliable weapon against all kinds of fire.

ONE SEVEN SYSTEM ADVANTAGES

- Simple, error-free operation due to one-button control
- Operational reliability due to permanent component monitoring and emergency operations
- Automatic pressure and flow control for constant foam output
- Automatic control of the mixture of water and foaming agent for optimal foam consistency
- Automatic optimization of system's performance when individual parameters are changed
- Lowest consumption of water and foaming agent for long operation times



ONE SEVEN-SYSTEM

Foam Capacity	Max. 900 l/min
Expansion Ratio	Approx. 7 (wet foam), approx. 20 (dry foam)
Working Pressure	8 bar

OUTLET CONFIGURATION

Foam Generator	One (1) 1.5" One Seven Mini Foam Generator
Flow Capacity	Wet Foam: up to 130 l/min Wetting agent: up to 150 l/min Water outlet: up to 350 l/min
Optionally Available	<ul style="list-style-type: none"> One (1) hose reel switchover, up to 150 l/min with automatic flow adjustment Mounting kits for many vehicle chassis

FOAM PROPORTIONING SYSTEM

Drive	Water-hydraulically driven
Pump	Proportional dosing pump
Performance	0.02 ... 2.6 l/min at 8 bar
Working Pressure	Max. 8 bar
Proportioning Rate	0.2 ... 2.0 %, steplessly adjustable

COMPRESSED AIR SUPPLY

Source	OS C0 (R1) industrial rotary screw compressor
Drive	Belt drive
Power Consumption	Max. 6 kW
Performance	780 l/min
Working Pressure	Nom. 8 bar
Cooling	Water cooling

HYDRAULIC DRIVE

Power Input	Min. 20 kW
Oil Flow Rate	70 l/min
Oil Pressure	180 ... 200 bar

one seven®

Schmitz One Seven GmbH

Am Honigberg 31 | 14943 Luckenwalde | Germany

Phone: +49 3371 6913-0

Fax: +49 3371 6913-99

E-mail: info@oneseven.com

www.oneseven.com

